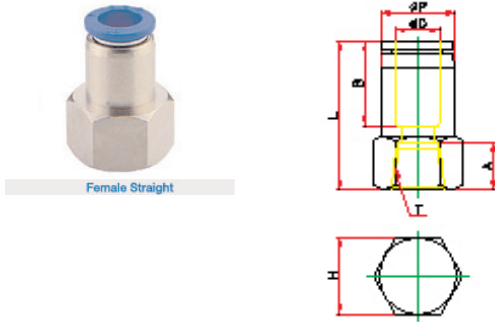
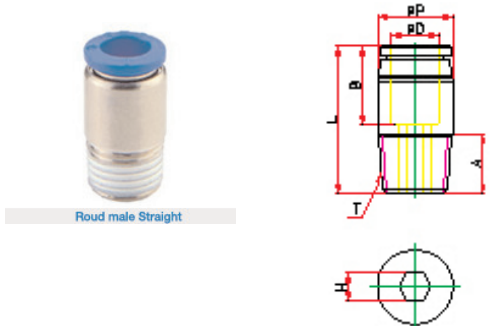


PCF-G: Racor Instantáneo Recto Hembra Cilíndrico



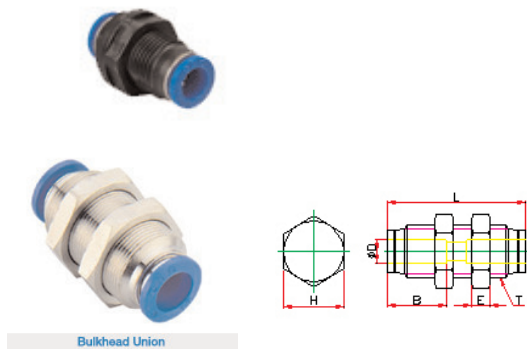
MODELO	D	P	T	L	A	B	H1	Orificio	PESO
PCF04-G01	4	10.0	G 1/8	28.6	8.0	15.9	14	3.0	14.8
PCF04-G02	4	10.0	G 1/4	29.6	10.0	15.9	17	3.0	19.8
PCF04-G03	4	10.0	G 3/8	30.6	11.0	15.9	22	3.5	32.8
PCF06-G01	6	12.0	G 1/8	30.0	8.0	16.5	14	5.0	15.8
PCF06-G02	6	12.0	G 1/4	31.0	10.0	16.5	17	5.0	21.8
PCF06-G03	6	12.0	G 3/8	32.0	11.0	16.5	22	5.0	34.8
PCF08-G01	8	14.0	G 1/8	31.0	8.0	17.7	14	6.0	17.7
PCF08-G02	8	14.0	G 1/4	32.0	10.0	17.7	17	6.0	23.7
PCF08-G03	8	14.0	G 3/8	33.0	11.0	17.7	22	6.0	36.7
PCF08-G04	8	14.0	G 1/2	35.0	14.0	17.7	24	6.0	36.7
PCF10-G01	10	16.4	G 1/8	31.7	8.0	18.6	17	8.0	30.5
PCF10-G02	10	16.4	G 1/4	32.7	10.0	18.6	17	8.0	25.5
PCF10-G03	10	16.4	G 3/8	33.7	11.0	18.6	22	8.0	39.5
PCF10-G04	10	16.4	G 1/2	35.7	14.0	18.6	24	8.0	39.5
PCF12-G02	12	18.6	G 1/4	36.4	10.0	20.9	22	10.0	52.3
PCF12-G03	12	18.6	G 3/8	36.4	11.0	20.9	22	10.0	44.3
PCF12-G04	12	18.6	G 1/2	38.4	14.0	20.9	24	10.0	44.3

POC: Racor Instantáneo Recto Circular cónico



MODELO	D	P	T	L	A	B	H1	Orificio	PESO
POC04-M5	4	10.0	M5*0.8p	21.8	4.6	15.9	2	2.0	5.8
POC04-M6	4	10.0	M6*1.0p	21.8	4.6	15.9	3	3.0	5.8
POC04-01	4	10.0	R 1/8	20.4	8.0	15.9	3	3.0	7.8
POC04-02	4	14.0	R 1/4	20.4	10.0	15.9	3	3.0	13.8
POC04-03	4	17.0	R 3/8	20.4	11.0	15.9	3	3.0	23.8
POC06-M5	6	12.0	M5*0.8p	22.6	4.6	16.5	2	2.0	7.8
POC06-M6	6	12.0	M6*1.0p	24.1	4.6	16.5	3	3.0	7.8
POC06-01	6	12.0	R 1/8	21.8	8.0	16.5	4	4.0	14.8
POC06-02	6	14.0	R 1/4	22.5	10.0	16.5	4	4.0	24.8
POC06-03	6	17.0	R 3/8	22.5	11.0	16.5	4	4.0	24.8
POC08-01	8	14.0	R 1/8	27.0	8.0	17.7	5	5.0	11.7
POC08-02	8	14.0	R 1/4	25.0	10.0	17.7	6	6.0	14.7
POC08-03	8	17.0	R 3/8	25.0	11.0	17.7	6	6.0	24.7
POC08-04	8	21.0	R 1/2	25.0	14.0	17.7	6	6.0	45.7
POC10-01	10	17.0	R 1/8	27.9	8.0	18.6	5	5.0	15.5
POC10-02	10	17.0	R 1/4	26.6	10.0	18.6	6	6.0	16.5
POC10-03	10	17.0	R 3/8	26.6	11.0	18.6	8	8.0	22.5
POC10-04	10	21.0	R 1/2	26.6	14.0	18.6	8	8.0	39.5
POC12-01	12	19.0	R 1/8	32.4	8.0	20.9	5	5.0	23.3
POC12-02	12	19.0	R 1/4	32.4	10.0	20.9	6	6.0	25.3
POC12-03	12	19.0	R 3/8	32.4	11.0	20.9	8	8.0	31.3
POC12-04	12	21.0	R 1/2	32.4	14.0	20.9	8	8.0	38.3

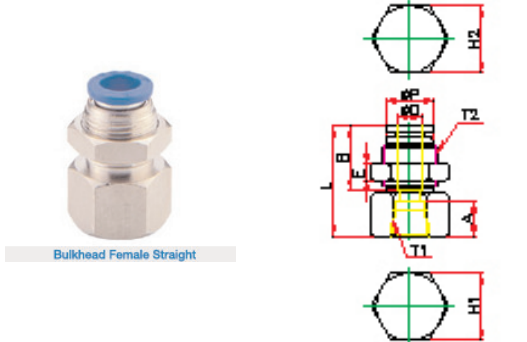
PMP



**PMP : Racor Instantáneo Pasamuros Recto Plástico
PMM : Racor Instantáneo Pasamuros Recto**

MODELO	D	T	L	E	B	H(Hex)	Orificio	PESO
PMP04	4	M12*1.2p	32.0	6.0	14.8	13	3.0	5.4
PMP06	6	M14*1.5p	36.0	6.5	16.4	15	5.0	7.8
PMP08	8	M16*1.5p	38.8	7.0	18.3	17	7.0	10.8
PMP10	10	M20*1.7p	44.1	8.0	20.2	21	8.0	16.8
PMP12	12	M22*1.7p	47.6	8.5	22.9	24	10.0	24.5
PMM04	4	M12*1.0p	35.5	4	16.3	14	3.0	19.6
PMM06	6	M14*1.0p	39.9	4	17.6	17	5.0	28.6
PMM08	8	M16*1.0p	42.2	5	18.7	19	7.0	36.4
PMM10	10	M20*1.0p	45.0	5	19.6	24	9.0	65.0
PMM12	12	M22*1.0p	50.3	5	21.9	26	11.0	83.1
PMM16	16	M27*1.0p	53.1	6	24.0	32	12.0	135.0

PMF-G: Racor Instantáneo Pasamuros Recto Hembra Cilíndrico



MODELO	D	P	T	L	E	A	B	H1 H2	Orificio	PESO
PMF04-G01	4	10.0	R 1/8	26.7	4	8.0	16.8	14 14	3.0	19.8
PMF04-G02	4	10.0	R 1/4	28.7	4	10.0	16.8	17 14	3.0	24.8
PMF04-G03	4	10.0	R 3/8	29.7	4	11.0	16.8	22 14	3.0	37.8
PMF06-G01	6	12.0	R 1/8	28.3	4	8.0	17.6	17 17	5.0	33.8
PMF06-G02	6	12.0	R 1/4	30.3	4	10.0	17.6	17 17	5.0	27.8
PMF06-G03	6	12.0	R 3/8	31.3	4	11.0	17.6	22 17	5.0	42.8
PMF08-G01	8	14.0	R 1/8	29.5	5	8.0	18.7	19 19	6.0	43.7
PMF08-G02	8	14.0	R 1/4	31.5	5	10.0	18.7	19 19	6.0	38.7
PMF08-G03	8	14.0	R 3/8	32.5	5	11.0	18.7	22 19	6.0	44.7
PMF08-G04	8	14.0	R 1/2	34.5	5	14.0	18.7	24 19	6.0	45.7
PMF10-G01	10	16.1	R 1/8	30.4	5	8.0	19.6	24 24	8.0	76.5
PMF10-G02	10	16.1	R 1/4	32.4	5	10.0	19.6	24 24	8.0	70.5
PMF10-G03	10	16.1	R 3/8	33.4	5	11.0	19.6	24 24	8.0	63.5
PMF10-G04	10	16.1	R 1/2	36.2	5	14.0	19.6	24 24	8.0	54.5
PMF12-G02	12	19.0	R 1/4	37.9	5	10.0	21.9	24 26	10.0	81.3
PMF12-G03	12	19.0	R 3/8	37.9	5	11.0	21.9	24 26	10.0	72.3
PMF12-G04	12	19.0	R 1/2	39.9	5	14.0	21.9	24 26	10.0	65.3