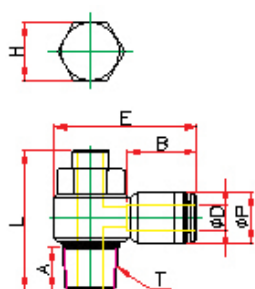


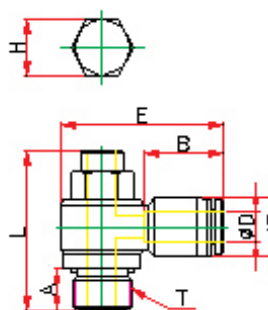
NSCF : Regulador de Caudal Banjo rosca Hembra cilíndrica Codo Or.

MODELO	P	T	L/min	L/max	E1	E2	H1	H2	A	B	PESO
NSCF01	14.5	G 1/8	35.5	40.7	18.2	7.3	12	15	7.6	10	30
NSCF02	18.0	G 1/4	40.3	46.6	26.5	9.5	15	19	10.6	13	60
NSCF03	23.0	G 3/8	46.9	54.9	30.8	11.6	19	24	12.6	15	107
NSCF04	26.5	G 1/2	54.0	60.1	38.7	14.0	24	28	14.5	19	170



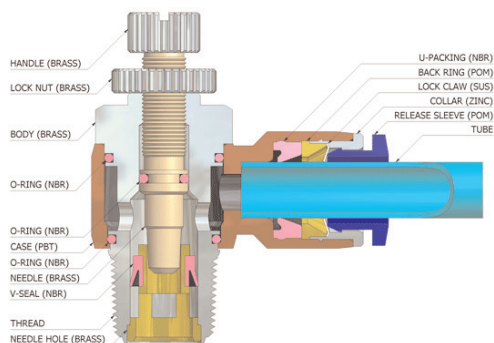
NSC (DC) : Regulador de Caudal Tornillo Oculto Cónico Inst. Codo Orient

MODELO	D	P	T	L	E	A	B	H	PESO
NSC04-01(DC)	4	10.5	G 1/8	31.6	30.5	6.0	16.3	8	16.8
NSC04-02(DC)	4	10.5	G 1/4	37.0	34.5	8.0	16.3	12	29.8
NSC06-01(DC)	6	12.5	G 1/8	31.6	31.2	6.0	17.6	8	16.7
NSC06-02(DC)	6	12.5	G 1/4	37.0	35.0	8.0	17.6	12	30.7
NSC06-03(DC)	6	12.5	G 3/8	43.3	38.7	8.0	17.6	14	55.7
NSC06-04(DC)	6	12.5	G 1/2	50.2	45.8	9.0	17.6	19	89.7
NSC08-01(DC)	8	14.5	G 1/8	31.6	33.0	6.0	18.7	8	17.7
NSC08-02(DC)	8	14.5	G 1/4	37.0	36.8	8.0	18.7	12	31.7
NSC08-03(DC)	8	14.5	G 3/8	43.3	40.1	8.0	18.7	14	56.7
NSC08-04(DC)	8	14.5	G 1/2	50.2	45.8	9.0	18.7	19	91.7
NSC10-01(DC)	10	17.5	G 1/8	31.6	33.0	6.0	19.6	8	19.2
NSC10-02(DC)	10	17.5	G 1/4	37.0	38.8	8.0	19.6	12	33.2
NSC10-03(DC)	10	17.5	G 3/8	43.3	42.2	8.0	19.6	14	58.2
NSC10-04(DC)	10	17.5	G 1/2	50.2	47.5	9.0	19.6	19	92.2
NSC12-02(DC)	12	20.5	G 1/4	37.0	40.8	8.0	21.9	12	34.1
NSC12-03(DC)	12	20.5	G 3/8	43.3	45.9	8.0	21.9	14	64.1
NSC12-04(DC)	12	20.5	G 1/2	50.2	50.1	9.0	21.9	19	97.1



NSC-G (DC) : Regulador Caudal Tornillo Oculto Cilíndrico Inst Codo Orient

MODELO	D	P	T	L	E	A	B	H	PESO
NSC04-G01(DC)	4	10.5	G 1/8	31.6	30.5	6.0	16.3	8	16.8
NSC04-G02(DC)	4	10.5	G 1/4	37.0	34.5	8.0	16.3	12	29.8
NSC06-G01(DC)	6	12.5	G 1/8	31.6	31.2	6.0	17.6	8	16.7
NSC06-G02(DC)	6	12.5	G 1/4	37.0	35.0	8.0	17.6	12	30.7
NSC06-G03(DC)	6	12.5	G 3/8	43.3	38.7	8.0	17.6	14	55.7
NSC06-G04(DC)	6	12.5	G 1/2	50.2	45.8	9.0	17.6	19	89.7
NSC08-G01(DC)	8	14.5	G 1/8	31.6	33.0	6.0	18.7	8	17.7
NSC08-G02(DC)	8	14.5	G 1/4	37.0	36.8	8.0	18.7	12	31.7
NSC08-G03(DC)	8	14.5	G 3/8	43.3	40.1	8.0	18.7	14	56.7
NSC08-G04(DC)	8	14.5	G 1/2	50.2	45.8	9.0	18.7	19	91.7
NSC10-G01(DC)	10	17.5	G 1/8	31.6	33.0	6.0	19.6	8	19.2
NSC10-G02(DC)	10	17.5	G 1/4	37.0	38.8	8.0	19.6	12	33.2
NSC10-G03(DC)	10	17.5	G 3/8	43.3	42.2	8.0	19.6	14	58.2
NSC10-G04(DC)	10	17.5	G 1/2	50.2	47.5	9.0	19.6	19	92.2
NSC12-G02(DC)	12	20.5	G 1/4	37.0	40.8	8.0	21.9	12	34.1
NSC12-G03(DC)	12	20.5	G 3/8	43.3	45.9	8.0	21.9	14	64.1
NSC12-G04(DC)	12	20.5	G 1/2	50.2	50.1	9.0	21.9	19	97.1



REGULADORES DE CAUDAL: Precisa regulación para un óptimo control del flujo de aire. Compactos y precisos, conforman un amplio ratio de regulación. Unidireccionales. Disponibles de regulación de rosca a tubo (pulsador azul) y de tubo a rosca (pulsador rojo) Aplicaciones de aire comprimido (No otras de gas o líquidos)

Presión de servicio Rango 0~150PSI 0~9.9Kgf/cm²(0~990KPa)
Vacío -29.5in Hg -750mmHg(-750Torr)
Temperatura de servicio: 32~140°F 0~60°C