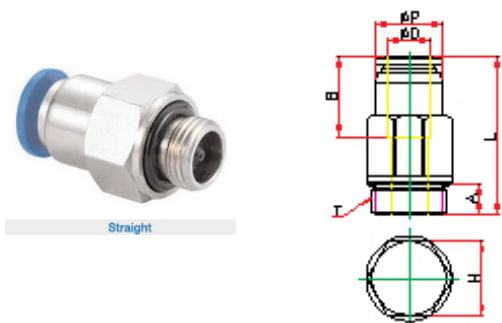
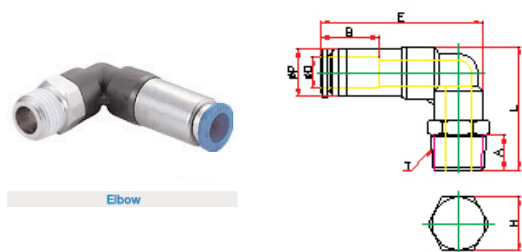


**SPC-G : Válvula Bloqueo Recto Cilíndrica Rosca- Tubo**



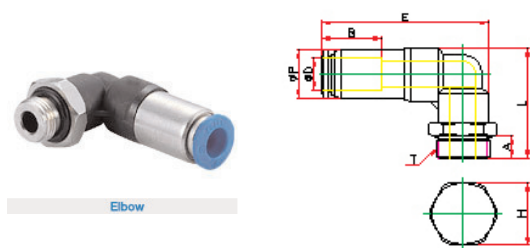
| MODELO    | D  | P    | T     | L    | A   | B    | H  | PESO |
|-----------|----|------|-------|------|-----|------|----|------|
| SPC04-G01 | 4  | 10.3 | G 1/8 | 25.5 | 5.0 | 15.5 | 12 | 14.8 |
| SPC06-G01 | 6  | 12.0 | G 1/8 | 27.7 | 5.0 | 17.0 | 12 | 13.8 |
| SPC06-G02 | 6  | 12.0 | G 1/4 | 27.2 | 6.5 | 17.0 | 15 | 23.8 |
| SPC08-G02 | 8  | 14.0 | G 1/4 | 31.9 | 6.5 | 18.6 | 15 | 22.7 |
| SPC08-G03 | 8  | 14.0 | G 3/8 | 31.9 | 6.5 | 18.6 | 17 | 34.7 |
| SPC10-G02 | 10 | 17.0 | G 1/4 | 34.9 | 6.5 | 20.3 | 17 | 30.5 |
| SPC10-G03 | 10 | 17.0 | G 3/8 | 36.4 | 6.5 | 20.3 | 17 | 35.5 |
| SPC10-G04 | 10 | 17.0 | G 1/2 | 37.4 | 8.0 | 20.3 | 21 | 57.5 |
| SPC12-G02 | 12 | 18.8 | G 1/4 | 43.3 | 6.5 | 22.7 | 19 | 49.3 |
| SPC12-G03 | 12 | 18.8 | G 3/8 | 43.3 | 6.5 | 22.7 | 21 | 62.3 |
| SPC12-G04 | 12 | 18.8 | G 1/2 | 43.8 | 8.0 | 22.7 | 21 | 64.3 |

**SPL : Válvula Bloqueo Codo Cónica Rosca- Tubo**



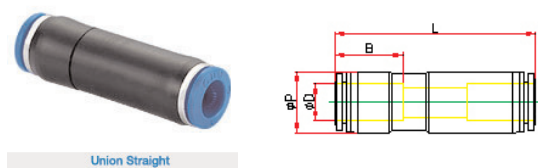
| MODELO   | D  | P    | T       | L    | A    | B    | H    | PESO |       |
|----------|----|------|---------|------|------|------|------|------|-------|
| SPL04-M5 | 4  | 10.0 | M5*0.8p | 27.3 | 34.5 | 4.6  | 15.3 | 10   | 15.8  |
| SPL04-M6 | 4  | 10.0 | M6*1.0p | 26.9 | 34.5 | 4.1  | 15.3 | 10   | 15.8  |
| SPL04-01 | 4  | 10.0 | R 1/8   | 29.8 | 34.5 | 8.0  | 15.3 | 10   | 19.8  |
| SPL06-M5 | 6  | 12.0 | M5*0.8p | 30.3 | 38.9 | 4.6  | 17.0 | 12   | 19.8  |
| SPL06-01 | 6  | 12.0 | R 1/8   | 32.8 | 38.9 | 8.0  | 17.0 | 12   | 20.8  |
| SPL06-02 | 6  | 12.0 | R 1/4   | 35.8 | 38.9 | 10.0 | 17.0 | 14   | 30.8  |
| SPL08-01 | 8  | 14.0 | R 1/8   | 38.2 | 48.6 | 8.0  | 18.6 | 14   | 31.7  |
| SPL08-02 | 8  | 14.0 | R 1/4   | 41.2 | 48.6 | 10.0 | 18.6 | 14   | 38.7  |
| SPL10-02 | 10 | 17.0 | R 1/4   | 40.3 | 55.0 | 10.0 | 20.3 | 17   | 55.5  |
| SPL10-03 | 10 | 17.0 | R 3/8   | 41.3 | 55.0 | 11.0 | 20.3 | 17   | 65.5  |
| SPL10-04 | 10 | 17.0 | R 1/2   | 44.3 | 55.0 | 14.0 | 20.3 | 21   | 89.5  |
| SPL12-03 | 12 | 18.8 | R 3/8   | 45.7 | 63.7 | 11.0 | 22.7 | 19   | 83.3  |
| SPL12-04 | 12 | 18.8 | R 1/2   | 48.7 | 63.7 | 14.0 | 22.7 | 21   | 106.3 |

**SPL-G : Válvula Bloqueo Codo Cilíndrica Rosca- Tubo**



| MODELO    | D  | P    | T     | L | E    | A    | B   | H    | PESO |      |
|-----------|----|------|-------|---|------|------|-----|------|------|------|
| SPL04-G01 | 4  | 10.0 | G 1/8 |   | 26.8 | 34.5 | 5.0 | 15.3 | 14   | 18.8 |
| SPL06-G01 | 6  | 12.0 | G 1/8 |   | 29.8 | 38.9 | 5.0 | 17.0 | 14   | 22.8 |
| SPL06-G02 | 6  | 12.0 | G 1/4 |   | 31.8 | 38.9 | 6.5 | 17.0 | 17   | 29.8 |
| SPL08-G02 | 8  | 14.0 | G 1/4 |   | 37.2 | 48.6 | 6.5 | 18.6 | 17   | 37.7 |
| SPL08-G03 | 8  | 14.0 | G 3/8 |   | 36.7 | 48.6 | 6.5 | 18.6 | 20   | 41.7 |
| SPL10-G02 | 10 | 17.0 | G 1/4 |   | 31.8 | 55.0 | 6.5 | 20.3 | 17   | 49.5 |
| SPL10-G03 | 10 | 17.0 | G 3/8 |   | 35.8 | 55.0 | 6.5 | 20.3 | 20   | 56.5 |
| SPL10-G04 | 10 | 17.0 | G 1/2 |   | 37.3 | 55.0 | 8.0 | 20.3 | 24   | 68.5 |
| SPL12-G03 | 12 | 18.8 | G 3/8 |   | 40.2 | 63.7 | 6.5 | 22.7 | 20   | 71.3 |
| SPL12-G04 | 12 | 18.8 | G 1/2 |   | 41.7 | 63.7 | 8.0 | 22.7 | 24   | 84.3 |

**SPU : Válvula Bloqueo Tubo- Tubo**



| MODELO | D  | P    | L    | B    | PESO |
|--------|----|------|------|------|------|
| SPU04  | 4  | 10.5 | 42.1 | 15.7 | 6.6  |
| SPU06  | 6  | 12.5 | 46.0 | 17.0 | 7.4  |
| SPU08  | 8  | 14.8 | 53.7 | 19.1 | 12.4 |
| SPU10  | 10 | 17.5 | 58.2 | 20.2 | 21.4 |
| SPU12  | 12 | 20.5 | 67.1 | 22.7 | 35.2 |